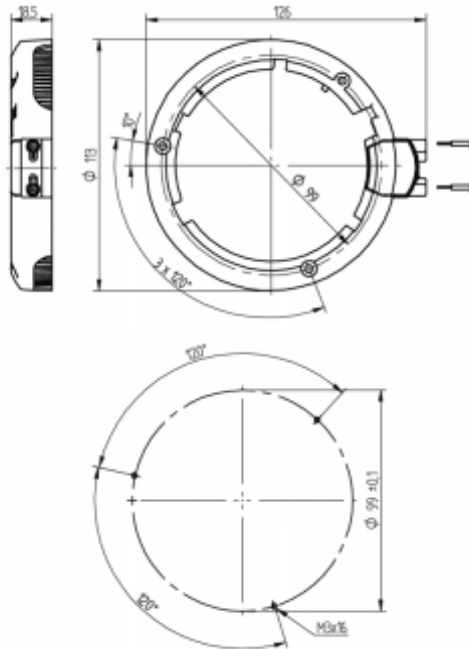


BJB///OEM-Line

28.108.2001

Lampholder for LED light sources PHJ85d



color	pkg.	wt.	part no.
white	72	29 g	28.108.2001.50

Suitable for the following LED models:

Manufacturer	LED model
Philips	Fortimo LED Twistable DLM PHJ85d

Key: PHJ85d-1 for LED light engines 100-120 V AC

Approval: cURus

Screw mount

Housing: PBT
Contacts: CuSn

- Screw fixing: for screws M3
- Insertion guide for the LED module (edge around circumference of lampholder)
- Closed form reduces penetration of dust and dirt. This has a positive effect on the temperature and life time of the module.
- Reflector interface - A reflector can be snapped on easily.

LED-LINE	Zhaga				2 A 250 V
			0.5 - 1.0 mm ²	0.5 - 1.5 mm ²	