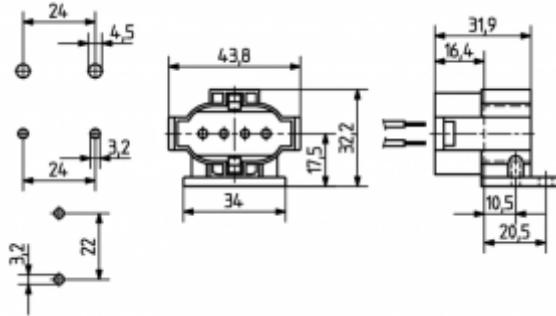


Compact Fluorescent Lampholders

26.727.8331

2G7



color	pkg.	wt.	part no.
white	250	17 g	26.727.8331.50

Approval: additional cULus (75W/600V)

For lamps TC-SEL

Screw mounting horizontally

Schraubbefestigung vertikal

Housing: PBT

- Screw mount horizontally: holes: \varnothing 4.5 mm for screws ISO 1207 - M4, holes: \varnothing 2.3 mm for self-tapping screws with locating groove ISO 1481- ST 2.9 - F/ ISO 4753 - SC
- Screw mount vertically: holes: \varnothing 2.3 mm for self-tapping screws with locating groove ISO 1481- ST 2.9 - F/ ISO 4753 - SC

T 140			
		18 AWG 0.5 - 1.0 mm ²	18 AWG 0.5 - 1.0 mm ²